
**SKYWORTH DRAIN PUMP
FOR WASHING MACHINE
MODEL: 57DD**

Compressor and Motor offer meaningful and unique solutions to respond to emerging sustainability needs with environmentally sound and energy saving technologies.

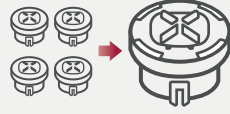


FEATURES



High Performance

Saving energy consumptions by using high efficiency BLDC motor



Simplification

BLDC motor is capable of speed control, so it can be used at various operating points with only one motor and can replace various AC motors.



Low Noise

Less noise by low torque ripple.



Cost – efficient solutions

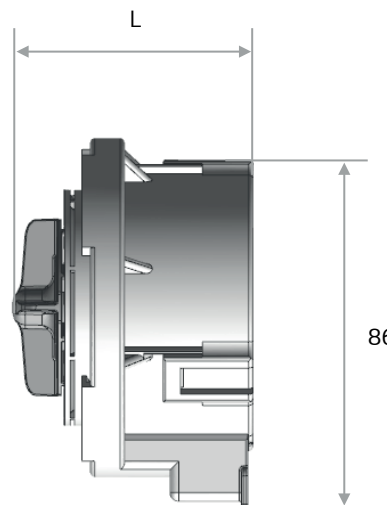
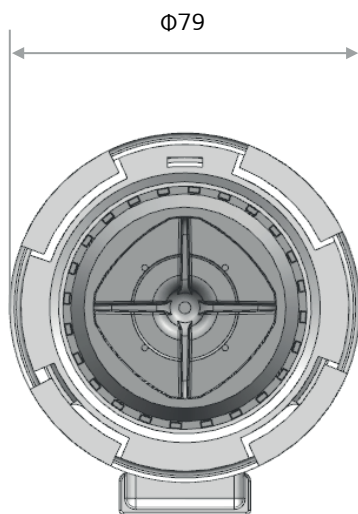
Using LG's special casing, one BLDC motor can perform both drainage and circulation functions.

SPECIFICATIONS

Product	Application	Model	Voltage [V]	Output [W]	Rated Characteristic		Insulation Class
					Speed [RPM]	Flow Rate [@1m]	
BLDC Pump Motor	Washing Machine Dish washer	WDD0015X1M	DC26	15	2600	17 ↑	F
BLDC Pump Motor	Washing Machine Dish washer	WDD0032X1M	DC26	32	3000	34 ↑	F

DIMENSIONS

Unit : mm



	L (mm)
15W	56
32W	61